

**Screw to connect  
clean break  
couplings  
for hydraulic  
applications**

**Series CH**



## Screw to connect clean break couplings for hydraulic applications Series CH

### Description:

The couplings of the CH-series were developed for the special requirements of the heavy duty environment of the metal producing industry. Their internal valve system closes without squirt and with a clean break effect.

Their connection is done by a round thread which is especially robust and forgiving to dirt.

The pitch of the thread and a special bearing technique of the nut make sure that the connection forces remain low. At the same time the thread is self securing and will not come undone.

### Features:

- connectable at residual pressures of 10 bar
- easy operation
- dirt protected locking arrangement
- squirt free
- ring grip for easier handling
- sealing surfaces in protected position when disengaged

### Materials:

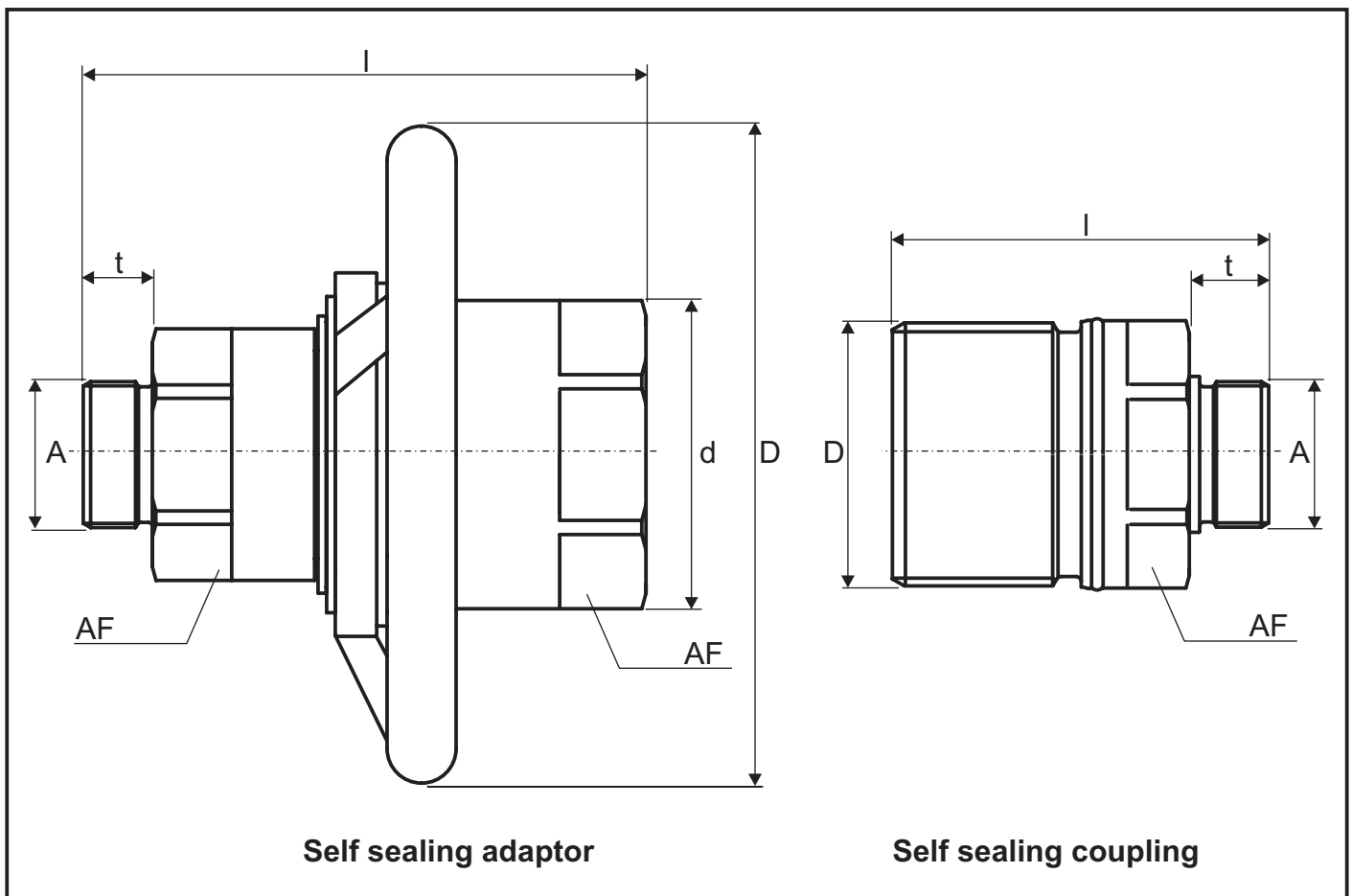
Steel chemically nickel plated

Seals high temperature resistant FKM

Working pressure: max. 250 bar (3600 psi)

### Options:

Parking plug and protection cap



## Screw to connect clean break couplings for hydraulic applications Series CH

Gender	Part no.	Cv-value	End connection	l	t	d / D	AF
Self sealing coupling	CH-G16-0-S2536-13-2	11	M 36 x 2	107	18	72,5	65
Self sealing adaptor	CH-G16-2-S2536-13-2	11	M 36 x 2	161	18	89 / 190	80
Protection cap	CH-G16-5-WR033-13-2		G 1'	105	20	72,5	65
Parking plug	CH-G16-6-13		—	91,5	—	78,5	41
Self sealing coupling	CH-020-0-S3042-13-2	13	M 42 x 2	109	20	77,5	70
Self sealing adaptor	CH-020-2-S3042-13-2	13	M 42 x 2	163	20	89 / 190	80
Protection cap	CH-020-5-WR033-13-2		G 1'	105	20	72,5	65
Parking plug	CH-020-6-13		—	91,5	—	83,5	41
Self sealing coupling	CH-G25-0-S3852-13-2	15	M 52 x 2	111	22	82,5	75
Self sealing adaptor	CH-G25-2-S3852-13-2	15	M 52 x 2	165	22	99 / 190	90
Protection cap	CH-G25-5-WR033-13-2		G 1'	105	20	72,5	75
Parking plug	CH-G25-6-13		—	91,5	—	88,5	41



Parking plug



Self sealing coupling  
with protection cup



Self sealing adaptor  
with parking plug

## More couplings for hydraulic applications



Clean Break couplings series HC-G

High pressure couplings series HP

## For each application the best suitable coupling



WALTHER PRÄZISION 07/2007 • subject to alterations • WKA

... and more than 300,000 other variations for all applications!

### **WALTHER-PRÄZISION** Carl Kurt Walther GmbH & Co. KG

Hausadresse / Head office:

Westfalenstraße 2  
42781 Haan, Germany

Telefon: +49 (0) 21 29 567-0  
Telefax: +49 (0) 21 29 567-450

Postadresse / Postal address:

Postfach 420444  
42404 Haan, Germany

eMail: [info@walther-praezision.de](mailto:info@walther-praezision.de)  
Internet: [www.walther-praezision.de](http://www.walther-praezision.de)

